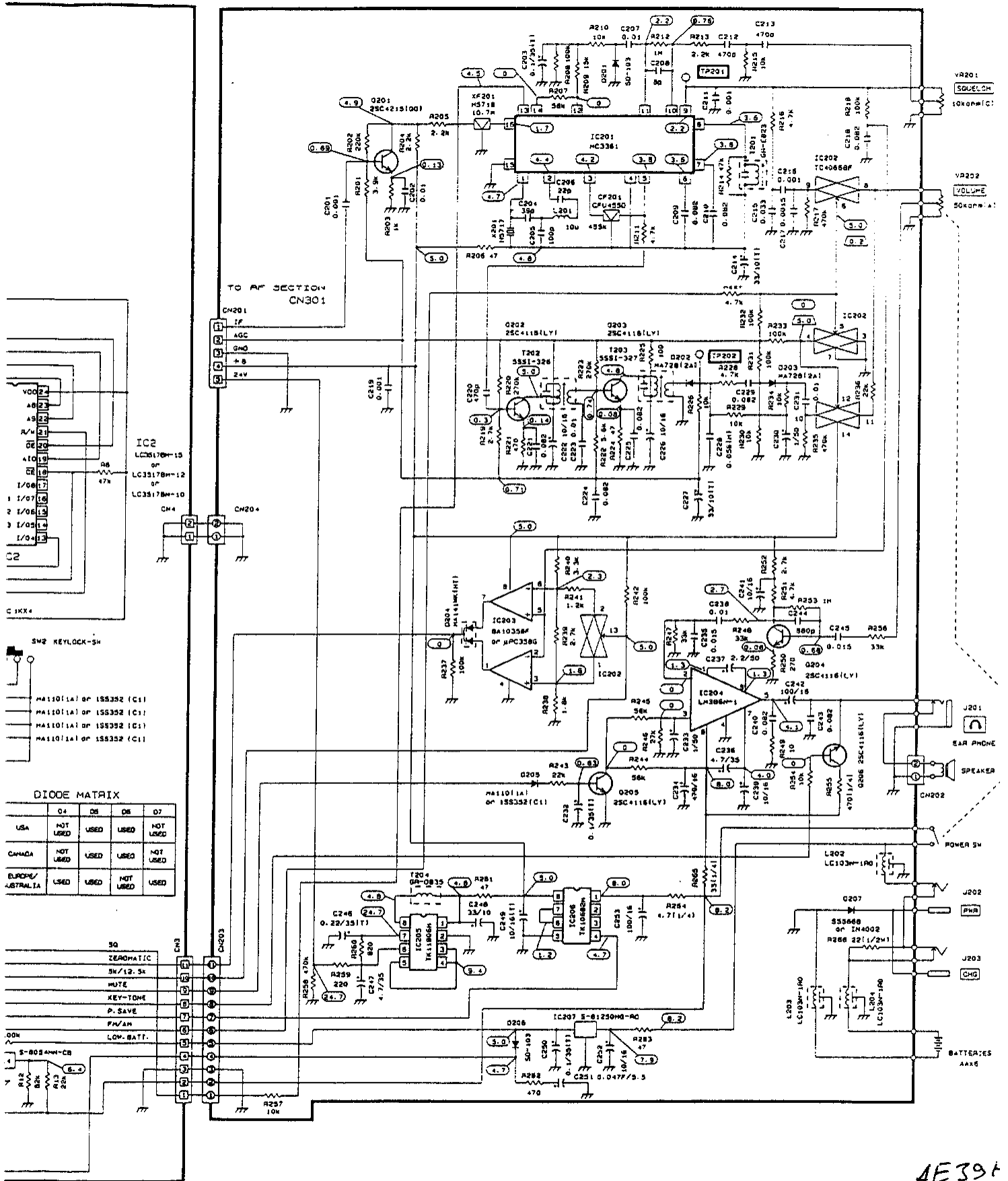


# SCHEMATIC DIAGRAM



AE391

- NO.  
: PCB  
AF PCB  
IC-207  
D-207  
Q-206  
P-268  
C-253